

The Model RB is designed to move heavier loads. Roller bed design reduces belt friction and provides greater capacity. Applications include: assembly, inspection and packing operations.

- 15 Belt Widths
- Reversible
- Moves Heavier Loads
- Center Drive
- System Ends
- Pop-Out Roller
- Adjustable MS-Type Floor Supports Available

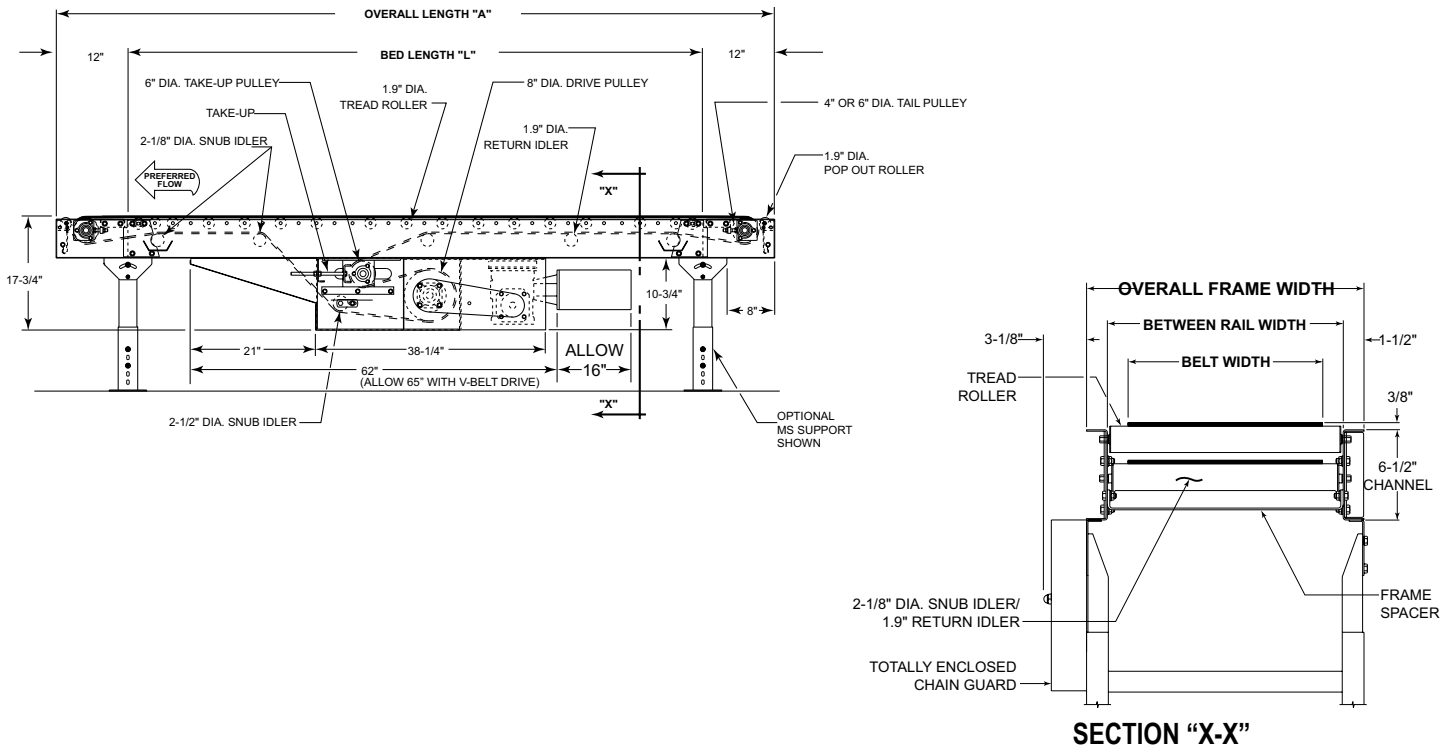


Conveyor shown with optional floor supports

| SIZE TO ORDER Overall Length "A" 4" Dia. Pulley | Bed Length "L"      | Between Rail Width |      |      |      |      |      |      |      | SIZE TO ORDER Overall Length "A" 6" Dia. Pulley |      |      |      |      |      |      |      |     |
|---|---------------------|--------------------|------|------|------|------|------|------|------|---|------|------|------|------|------|------|------|-----|
|   |                     | 13"                | 15"  | 17"  | 19"  | 21"  | 23"  | 25"  | 27"  |   | 31"  | 33"  | 37"  | 39"  | 45"  | 51"  | 54"  |     |
|   |                     | Belt Width         | 10"  | 12"  | 14"  | 16"  | 18"  | 20"  | 22"  |   | 24"  | 28"  | 30"  | 34"  | 36"  | 42"  | 48"  | 57" |
|   | Overall Frame Width | 16"                | 18"  | 20"  | 22"  | 24"  | 26"  | 28"  |      | 30"   | 34"  | 36"  | 40"  | 42"  | 48"  | 54"  | 60"  |     |
| 12'   | 10'                 | 561                | 593  | 625  | 657  | 689  | 721  | 753  | 12'  | 791   | 865  | 940  | 1014 | 1088 | 1162 | 1237 | 1312 |     |
| 17'   | 15'                 | 660                | 696  | 732  | 768  | 804  | 840  | 876  | 17'  | 919   | 1002 | 1085 | 1167 | 1250 | 1333 | 1415 | 1497 |     |
| 22'   | 20'                 | 760                | 800  | 840  | 880  | 920  | 960  | 1000 | 22'  | 1047  | 1138 | 1230 | 1321 | 1412 | 1503 | 1594 | 1682 |     |
| 27'   | 25'                 | 859                | 903  | 947  | 991  | 1035 | 1079 | 1123 | 27'  | 1175  | 1275 | 1375 | 1474 | 1574 | 1673 | 1773 | 1867 |     |
| 32'   | 30'                 | 959                | 1007 | 1054 | 1102 | 1150 | 1198 | 1246 | 32'  | 1304  | 1412 | 1520 | 1627 | 1735 | 1844 | 1952 | 2052 |     |
| 37'   | 35'                 | 1058               | 1110 | 1162 | 1214 | 1266 | 1317 | 1369 | 37'  | 1432  | 1548 | 1665 | 1781 | 1897 | 2014 | 2130 | 2237 |     |
| 42'   | 40'                 | 1158               | 1213 | 1269 | 1325 | 1381 | 1437 | 1492 | 42'  | 1560  | 1685 | 1810 | 1934 | 2059 | 2184 | 2309 | 2422 |     |
| 47'   | 45'                 | 1257               | 1317 | 1377 | 1436 | 1496 | 1556 | 1616 | 47'  | 1688  | 1821 | 1955 | 2088 | 2221 | 2355 | 2488 | 2607 |     |
| 52'   | 50'                 | 1357               | 1420 | 1484 | 1548 | 1612 | 1675 | 1739 | 52'  | 1816  | 1958 | 2100 | 2241 | 2383 | 2525 | 2667 | 2792 |     |
| 57'   | 55'                 | 1456               | 1524 | 1592 | 1659 | 1727 | 1794 | 1862 | 57'  | 1944  | 2094 | 2245 | 2395 | 2545 | 2695 | 2845 | 2977 |     |
| 62'   | 60'                 | 1556               | 1627 | 1699 | 1771 | 1842 | 1914 | 1985 | 62'  | 2072  | 2231 | 2390 | 2548 | 2707 | 2865 | 3024 | 3162 |     |
| 67'   | 65'                 | 1655               | 1731 | 1806 | 1882 | 1957 | 2033 | 2109 | 67'  | 2200  | 2367 | 2535 | 2702 | 2869 | 3036 | 3203 | 3347 |     |
| 72'   | 70'                 | 1755               | 1834 | 1914 | 1993 | 2073 | 2152 | 2232 | 72'  | 2328  | 2504 | 2680 | 2855 | 3031 | 3206 | 3382 | 3532 |     |
| 77'   | 75'                 | 1854               | 1938 | 2021 | 2105 | 2188 | 2272 | 2355 | 77'  | 2456  | 2640 | 2825 | 3009 | 3193 | 3376 | 3560 | 3717 |     |
| 82'   | 80'                 | 1954               | 2041 | 2129 | 2216 | 2303 | 2391 | 2478 | 82'  | 2585  | 2777 | 2970 | 3162 | 3354 | 3547 | 3739 | 3902 |     |
| 87'   | 85'                 | 2053               | 2145 | 2236 | 2327 | 2419 | 2510 | 2601 | 87'  | 2713  | 2914 | 3115 | 3315 | 3516 | 3717 | 3918 | 4087 |     |
| 92'   | 90'                 | 2153               | 2248 | 2343 | 2439 | 2534 | 2629 | 2725 | 92'  | 2841  | 3050 | 3260 | 3469 | 3678 | 3887 | 4097 | 4272 |     |
| 97'   | 95'                 | 2252               | 2352 | 2451 | 2550 | 2649 | 2749 | 2848 | 97'  | 2969  | 3187 | 3405 | 3622 | 3840 | 4058 | 4275 | 4457 |     |
| 102'  | 100'                | 2352               | 2455 | 2558 | 2662 | 2765 | 2868 | 2971 | 102' | 3097  | 3323 | 3550 | 3776 | 4002 | 4228 | 4454 | 4642 |     |

All weights in catalog are CONVEYOR WEIGHTS ONLY. Accessories, crating, etc., are not included.

**NOTE:** 16", 20", 22", 26", 28", 34", 40" & 42" Overall Frame Widths - 1 Week Stockyard



## • STANDARD SPECIFICATIONS

**BELT**—Ultimate 140 BBS—Nitrile.

**BED**—Roller bed with 1.9 in. dia. roller x 16 ga. galvanized tube spaced every 6 in. Mounted in 6 ½ in. x 12 ga. powder painted formed steel channel frame bolted together with splice plates.

**CROSS BRACING**—Rods with turnbuckles are fastened to underside of bed to provide proper alignment of bed rollers and insure tracking. (1) supplied in first 50' of bed section lengths and (1) per 50' of bed section length thereafter. Supplied in approximate center of lengths.

**CENTER DRIVE**—Minimum elevation—17 ¾ in. Can be placed on any section of conveyor length. Minimum OAL without modification 120 in. Chain guard located on left hand side.

**DRIVE PULLEY**—8 in. dia. with 1 7/16 in. dia. shaft at bearings, fully lagged.

**TAIL PULLEY**—4 in. dia. with 1 in. dia. shaft at bearings or 6 in. dia. with 1 ¾ in. dia. shaft at bearings, machine crowned.

**SNUB IDLER**—Adjustable 2 ½ in. dia. pre-lubricated ball bearings. Guards included.

**RETURN IDLER**—Adjustable 1.9 in. dia. pre-lubricated ball bearings.

**TAKE-UP**—Take-ups in center drive provides 16 in. of belt take-up.

**BEARINGS**—Sealed, pre-lubricated, self-aligning, ball bearings on drive and tail pulleys. Pre-lubricated ball bearings in tread rollers.

**SPEED REDUCTION**—Sealed worm gear C-Face speed reducer. No. 50 roller chain to drive pulley.

**MOTOR**—½ HP—208/230/460/575V—3 Ph.—60 Hz. Totally Enclosed C-Face.

**BELT SPEED**—Constant 65 FPM.

**CAPACITY**—Maximum load per linear foot of conveyor 225 lbs. NOT TO EXCEED capacity in charts.

**FLOOR SUPPORTS**—Now supplied as optional equipment.

| 8" DIA. DRIVE PULLEY HORIZONTAL LIVE LOAD CAPACITY @ 65 FPM |                |                         |       |
|---|----------------|-------------------------|-------|
| HP  | BELT WIDTHS TO | LENGTHS UP TO           |       |
|   |                | 52'                     | 102'  |
|   |                | DISTRIBUTED LOAD (LBS.) |       |
| ½   | 14"            | 2490                    | 2150  |
|   | 24"            | 2280                    | 1800  |
|   | 36"            | 1860                    | 1170  |
|   | 48"            | 1520                    | 620   |
|   | 54"            | 1300                    | 350   |
| 1   | 14"            | 5500                    | 5160  |
|   | 24"            | 5290                    | 4810  |
|   | 36"            | 4870                    | 4180  |
|   | 48"            | 4530                    | 3630  |
|   | 54"            | 4000                    | 3200  |
| 2   | 14"            | 11520                   | 11170 |
|   | 24"            | 11320                   | 10830 |
|   | 36"            | 10890                   | 10200 |
|   | 48"            | 10550                   | 9650  |
|   | 54"            | 10000                   | 9200  |

## • OPTIONAL EQUIPMENT

**FLOOR SUPPORTS**—MS Type floor supports are available with a wide range of adjustment. Specify top of belt or roller elevation. One support required at every bed joint and ends of conveyor. Holes in feet for lagging to floor. Knee braces recommended above MS-6 support.

**BELT\***—White Polymate 100 RMP-COS (cover one side), Black Trackmate 533 COS-PVC, Tan Gliidetop.

**BELT SPEED\***—Other constant and variable speeds. V-belt drive supplied on speeds under 17 FPM.

**END DRIVE**—8 in. end drive mounted on end of unit. Requires underside take-up.

**LOW ELEVATION SIDE MOUNTED CENTER DRIVE**—Motor reducer unit mounted to side of conveyor. Minimum 16 in.

**V-BELT DRIVE**—V-Belt supplied between motor and reducer. Allow 65 in.

**O-RING DRIVE CHAIN**—With sealed in lubricant (Recommended for applications that do not permit regular lubrication).

**UNDERSIDE TAKE-UP**—Provides 16 in. of belt take-up. Extends down 15 7/8 in. from top of belt.

**GUARD RAILS**—Adjustable Universal Channel Guard Rail, fixed channel, type A & B angle. Fixed Channel overlapping, one direction. Fixed Channel nonoverlapping, reversing. See Accessory section.

**ROLLER CENTERS\***—Tread rollers spaced on 3 in., 9 in., or 12 in. centers.

**PULLEYS**—6 in. dia. tail with 1 ¾ in. dia. shaft at bearings in place of 4 in. when not furnished as standard.

**POLY-TIER SUPPORTS**—36 in. to 120 in. support heights in 6 in. increments. Knee braces supplied.

**CEILING HANGERS**—¾ in. dia. x 8 ft. long unplated rods fully threaded. Other lengths and galvanized rods available.

**MOTORS**—Energy efficient, single phase, brake motors, other characteristics. 2 HP maximum.

**ELECTRICAL CONTROLS**—Non-reversing or reversible magnetic starter, and push-button stations. AC variable frequency drive.

\* NOTE: Capacity affected with these options.