

# BL

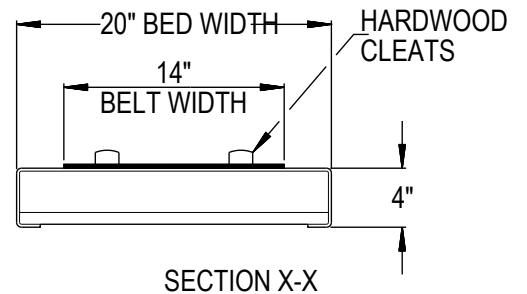
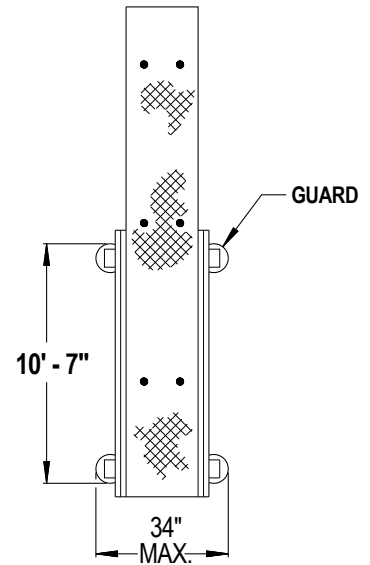
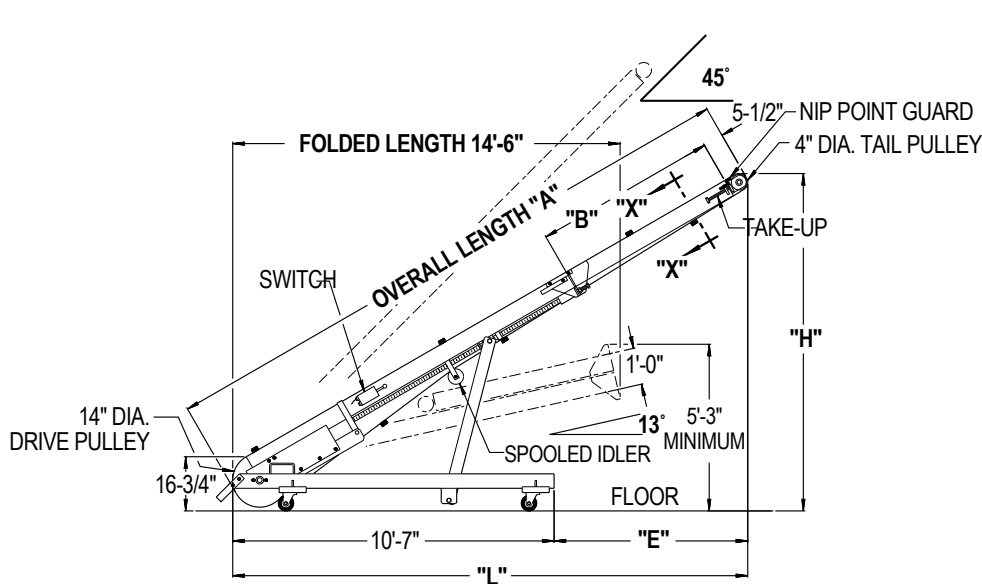
## Portable Folding Booster Belt Conveyor

The longer Model BL can be used to convey material from one floor to another. . . or to a balcony area. Its long bed can also extend far into a truck, thereby minimizing the distance for loading or unloading the conveyor.

- Reversible
- Bed Section Folds
- 14" Wide Roughtop Belt
- Self-powered Raising Device

SIZE TO ORDER	Overall Length "A"	Angle of Incline	"B"	"H"	"E"	"L"	Weights (Lbs.)
20'	20'-9"	13°	68"	5'-7"	9'-9"	20'-4"	930
		25°		9'-9"	8'-3"	18'-11"	
		30°		11'-4"	7'-6"	17'-10"	
		45°		16'-0"	4'-1"	14'-7"	
22'	22'-9"	13°	92"	6'-1"	11'-9"	22'-4"	990
		25°		10'-7"	10'-2"	20'-9"	
		30°		12'-4"	9'-3"	19'-10"	
		45°		17'-6"	5'-6"	16'-1"	

All weights in catalog are conveyor weights only. Accessories, crating, etc., are not included.



## • STANDARD SPECIFICATIONS

**BELT**—14 in. wide Black Trackmate 120 Roughtop with PVC cover. Clipper lacing.

**CLEATS**—Two 1 ½ in. dia. x 1 in. high hardwood cleats, fastened to belt with 5/16 in. elevator bolts spaced every 60 in.

**BED**—4 in. deep x 20 in. wide x 12 ga. powder painted formed steel slider bed. Bed is hinged for storage purposes (see drawing).

**HINGES**—To fold bed to shorter length for storage. Screw adjustment insures alignment of bed. Exclusive link (breathing feature) prevents damage of belt.

**INCLINE**—Adjustable from 13° to 45° with conveyor motor powered screw raising device. Safety nut prevents rapid release of bed in case of overloading.

**BASE**—Welded steel base (see drawing for dimensions).

**CASTERS**—6 in. dia. steel swivel casters with Breaks. Corner guards.

**DRIVE PULLEY**—14 in. dia. with 1 in. dia. removable shaft. Crowned and fully lagged.

**TAIL PULLEY**—4 in. dia. with 1 in. dia. shaft at bearings, machine crowned.

**RETURN IDLER**—4 in. dia. spooled idler to provide clearance for cleats. Pre-lubricated ball bearings.

**TAKE-UP**—Take-ups provided at tail pulley. Provides 4 in. of belt take-up.

**BEARINGS**—Sealed, pre-lubricated, self-aligning, ball bearings on tail pulley. Re-lube roller bearings on drive pulley.

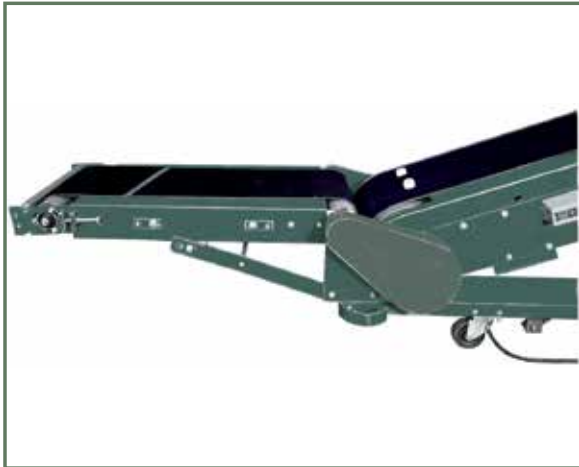
**SPEED REDUCTION**—Sealed worm gear speed reducer driven by V-belt. No. 50 roller chain to drive pulley.

**MOTOR**—1 HP—115/230V—1 Ph. 60 Hz. Totally Enclosed. Wired for 115 volt.

**ELECTRICAL CONTROLS**—Reversing drum switch with 20 ft. power cord and plug.

**BELT SPEED**—Constant 65 FPM.

**CAPACITY**—300 lbs. total distributed load, 150 lbs. unit load at 65 FPM.



LOWER POWERED FEEDER



TROUGHING ATTACHMENT WITH HOPPER

## • OPTIONAL EQUIPMENT

**RUBBER CASTERS**—6 in. dia. rubber swivel casters with Breaks in place of steel casters.

**FLOOR LOCKS**—Two foot operated toggle floor locks mounted on one side of conveyor base to prevent unit from moving when in operation.

**GRAVITY CONVEYOR BRACKET**—Adjustable bar for connecting wheel or roller gravity conveyor (discharge only).

**LOWER GRAVITY FEEDER**—2 ft. long x 18 in. wide (1 ½ SW-18-36) includes adjustable tubular support and gravity conveyor bracket.

**UPPER GRAVITY FEEDER**—2 ft. long x 18 in. wide (3 SW-18-18) includes adjustable tubular support and gravity conveyor bracket.

**LOWER POWERED FEEDER**—Chain type driven from drive pulley. 43 in. long belt feeder section includes adjustable tubular support and gravity conveyor bracket.

**GUARD RAILS**—Channel type, adjustable vertically (specify fixed horizontal width). Not foldable with guard rails.

**TROUGHING ATTACHMENT**—Flat steel supports under belt form trough for handling loose material. Hopper available. Not foldable with troughing attachment.

**REMOTE SWITCH CONTROL**—Rod running length of conveyor to operate reverse drum switch from both ends. Switch regularly furnished on right side (when standing at drive pulley and looking up toward tail pulley).

**MOTORS**—2 HP 230/1/60.