

## Portable Folding Booster Belt Conveyor

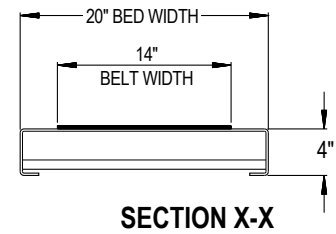
One lever control adjusts angle without effort.  
Desired angle automatically locked by powered screw.

- 6 Lengths
- 14" Wide Roughtop Belt
- Reversible
- Bed Section Folds
- Adjustable Infeed Height



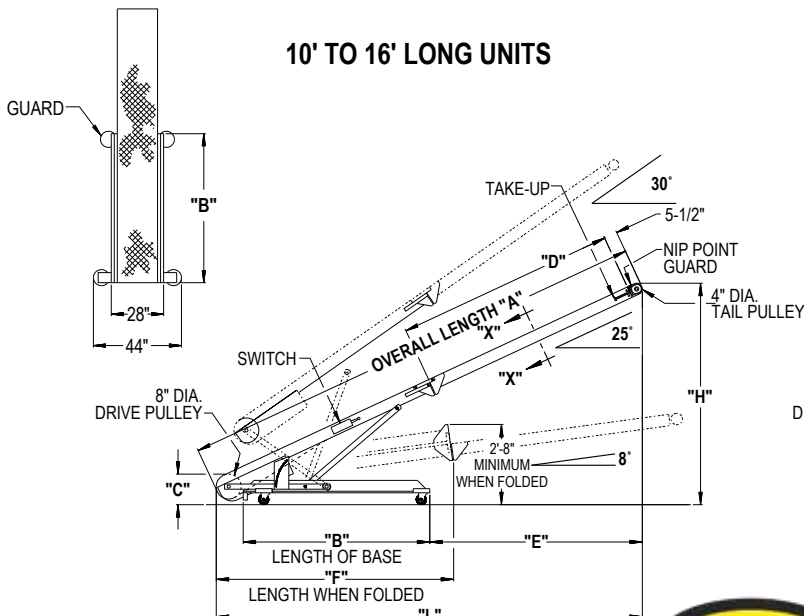
ADJUSTMENT CHART FOR 10' TO 16' LONG UNITS													
SIZE TO ORDER	Overall Length "A"	Base Length "B"	Angle Of Incline	"C" @ 14 1/2"			Angle of Incline	"C" @ 32"			"D"	"F"	Weight (Lbs.)
				"H"	"E"	"L"		"H"	"E"	"L"			
10'	10'-7"	4'-7"	8° Min.	2'-5"	5'-0"	10'-5"	3°	2'-8"	5'-8"	10'-7"	44"	6'-6" Max.	560
			25°	5'-3"	4'-2"	9'-7"	25°	6'-11"	4'-8"	9'-7"			
			30°	6'-0"	3'-9"	9'-2"	30°	7'-8"	4'-3"	9'-2"			
			45° Max.	8'-0"	2'-2"	7'-7"	36°	-	-	-			
12'	12'-7"	5'-7"	8° Min.	2'-9"	6'-0"	12'-5"	3°	2'-8"	6'-8"	12'-7"	68"	6'-6" Max.	600
			25°	6'-1"	5'-0"	11'-5"	25°	7'-9"	5'-6"	11'-5"			
			30°	7'-0"	4'-6"	10'-11"	30°	8'-8"	5'-0"	10'-11"			
			45° Max.	9'-5"	2'-7"	9'-0"	36°	-	-	-			
14'	14'-7"	6'-7"	8° Min.	3'-0"	7'-0"	14'-5"	3°	2'-8"	7'-8"	14'-7"	80"	7'-6" Max.	650
			25°	7'-0"	5'-10"	13'-3"	25°	8'-7"	6'-4"	13'-3"			
			30°	8'-0"	5'-3"	12'-8"	30°	9'-8"	5'-9"	12'-8"			
			45° Max.	10'-10"	3'-0"	10'-5"	36°	-	-	-			
16'	16'-7"	7'-7"	8° Min.	3'-4"	8'-0"	16'-5"	3°	2'-8"	8'-8"	16'-7"	92"	8'-6" Max.	700
			25°	7'-10"	6'-8"	15'-1"	25°	9'-5"	7'-2"	15'-1"			
			30°	9'-0"	6'-0"	14'-5"	30°	10'-8"	6'-6"	14'-5"			
			45° Max.	12'-3"	3'-5"	11'-10"	36°	-	-	-			

ADJUSTMENT CHART FOR 20' TO 22' LONG UNITS													
SIZE TO ORDER	Overall Length "A"	Base Length "B"	Angle Of Incline	"C" @ 14 1/2"			Angle of Incline	"C" @ 36"			"D"	"F"	Weight (Lbs.)
				"H"	"E"	"L"		"H"	"E"	"L"			
20'	20'-7"	9'-6"	10° Min.	4'-7"	10'-0"	20'-3"	3°	3'-0"	11'-0"	20'-7"	68"	14'-7" Max.	940
			25°	9'-6"	8'-5"	18'-8"	25°	11'-5"	9'-0"	18'-7"			
			30°	11'-0"	7'-8"	17'-11"	30°	12'-11"	8'-3"	17'-10"			
			45° Max.	15'-1"	4'-5"	14'-8"	36°	-	-	-			
22'	22'-7"	9'-6"	10° Min.	4'-11"	12'-0"	22'-3"	3°	3'-0"	13'-0"	22'-7"	92"	14'-7" Max.	990
			25°	10'-4"	10'-3"	20'-6"	25°	12'-3"	10'-10"	20'-5"			
			30°	12'-0"	9'-4"	19'-7"	30°	13'-11"	10'-0"	19'-7"			
			45° Max.	16'-6"	5'-10"	16'-1"	36°	-	-	-			

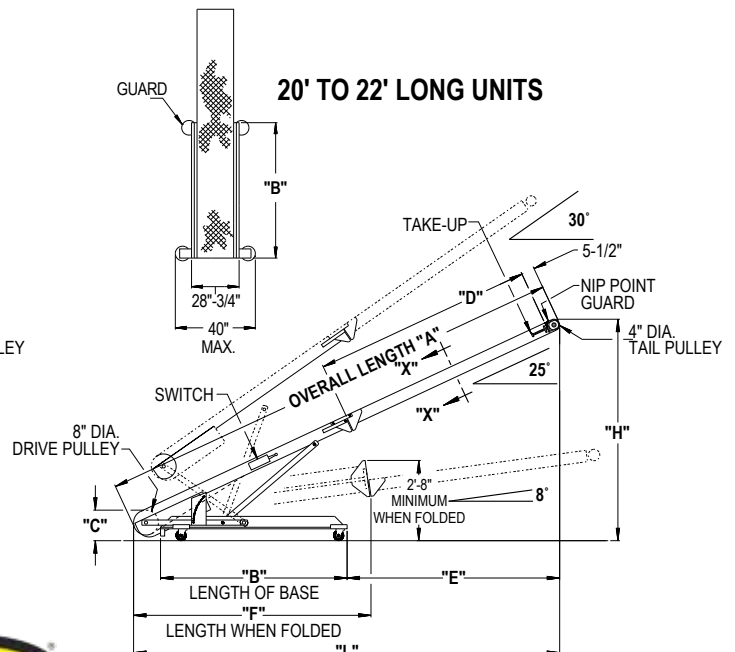


All Weights in catalog are conveyor weights only.  
Accessories, crating, etc., are not included

### 10' TO 16' LONG UNITS



### 20' TO 22' LONG UNITS



## • STANDARD SPECIFICATIONS

**BELT**—14 in. wide Black Trackmate 120 Roughtop with PVC cover. Clipper lacing.

**BED**—4 in. deep x 20 in. wide x 12 ga. formed steel slider bed, powder painted. Bed is hinged for storage purposes (see drawing).

**HINGES**—To fold bed to shorter length for storage. Screw adjustment insures alignment of bed. Exclusive link (breathing feature) prevents damage of belt.

**INCLINE**—Adjustable with conveyor motor powered screw raising device (see chart for angles). Safety nut prevents rapid release of bed in case of overloading.

**INFEED HEIGHT**—Adjustable with variable position support.

**BASE**—Welded steel base (see drawing for dimensions).

**CASTERS**—6 in. dia. steel swivel casters with 2 Floor Locks. Corner guards.

**DRIVE PULLEY**—8 in. dia. with 1 in. dia. removable shaft. Machine crowned and fully lagged.

**TAIL PULLEY**—4 in. dia. with 1 in. dia. shaft at bearings, machine crowned.

**SNUB IDLER**—Adjustable 2 ½ in. dia. pre-lubricated ball bearings.

**RETURN IDLER**—Adjustable 1.9 in. dia. pre-lubricated ball bearings.

**TAKE-UP**—Take-ups provided at tail pulley. Provides 4 in. of belt take-up.

**BEARINGS**—Sealed, pre-lubricated, self-aligning, cast-iron ball bearings on tail pulley. Re-lube roller bearings on drive pulley.

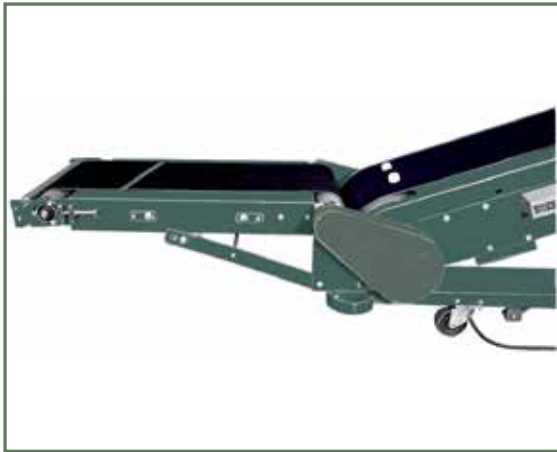
**SPEED REDUCTION**—Sealed worm gear speed reducer driven by V-belt. No. 50 roller chain to drive pulley.

**MOTOR**—1 HP (10 ft. to 22 ft.)—115/230V—1 Ph. 60 Hz. Totally Enclosed. Wired for 115 volt.

**ELECTRICAL CONTROLS**—Reversing drum switch with 20 ft. power cord and plug.

**BELT SPEED**—Constant 65 FPM.

**CAPACITY**—300 lbs. total distributed load, 150 lbs. unit load at 65 FPM.



LOWER POWERED FEEDER



HINGED BED FOLDS FOR EASY STORAGE

## • OPTIONAL EQUIPMENT

**RUBBER CASTERS**—4 in. dia. rubber swivel casters in place of steel casters.

**FLOOR LOCKS**—Two foot operated toggle floor locks mounted on one side of conveyor base to prevent unit from moving when in operation.

**GRAVITY CONVEYOR BRACKET**—Adjustable bar for connecting wheel or roller gravity conveyor.

**LOWER GRAVITY FEEDER**—2 ft. long x 18 in. wide (1 ½ SW-18-36) includes adjustable tubular support and gravity conveyor bracket.

**UPPER GRAVITY FEEDER**—2 ft. long x 18 in. wide (3 SW-18-18) includes adjustable tubular support and gravity conveyor bracket.

**LOWER POWERED FEEDER**—Chain type driven from drive pulley. 43 in. long belt feeder section includes adjustable tubular support and gravity conveyor bracket.

**GUARD RAILS**—Channel type, adjustable vertically (specify fixed horizontal width). Not foldable with guard rails.

**TROUGHING ATTACHMENT**—Flat steel supports under belt form trough for handling loose material. Hopper available. Not foldable with troughing attachment.

**REMOTE SWITCH CONTROL**—Rod running length of conveyor to operate reverse drum switch from both ends. Switch regularly furnished on right side (when standing at drive pulley and looking up toward tail pulley).

**MOTORS**—2 HP 230/1/60.